

8

7

6

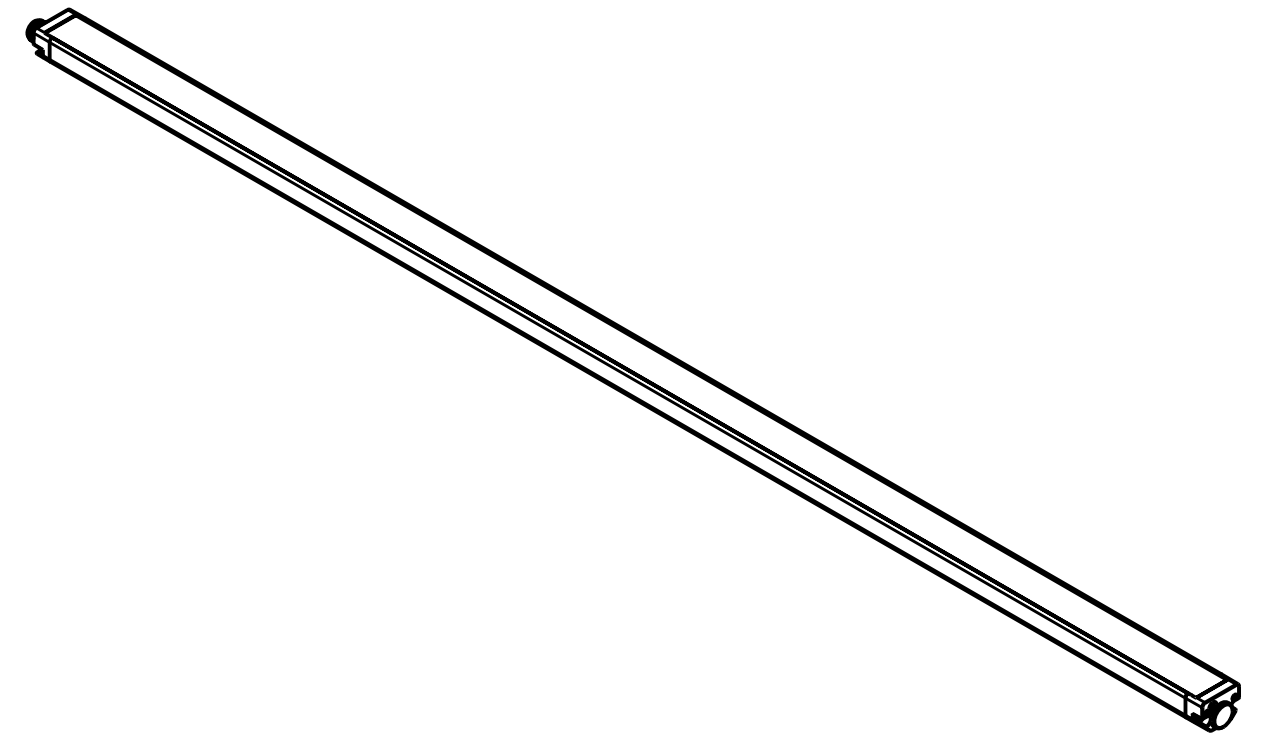
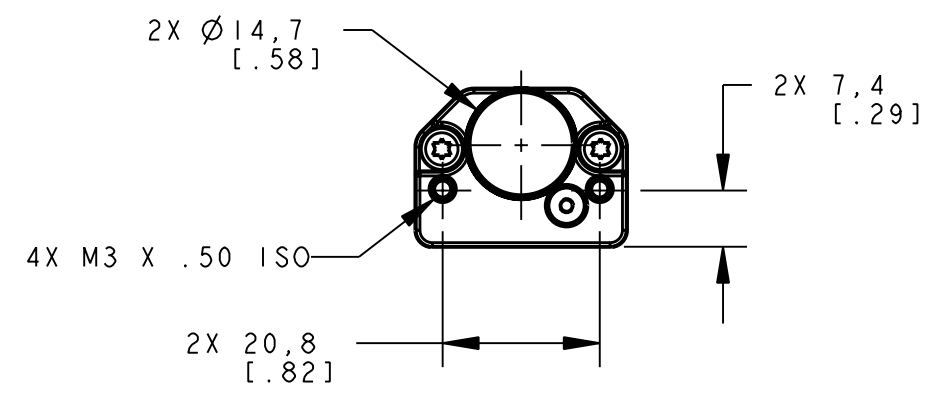
5

4

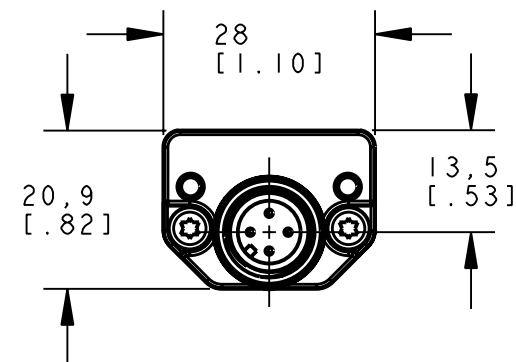
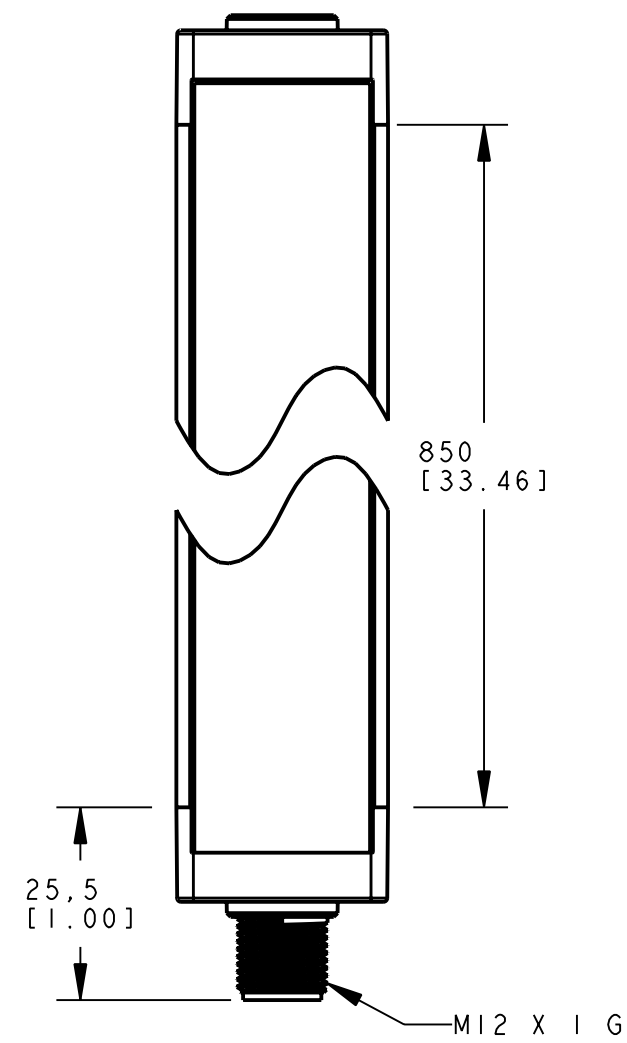
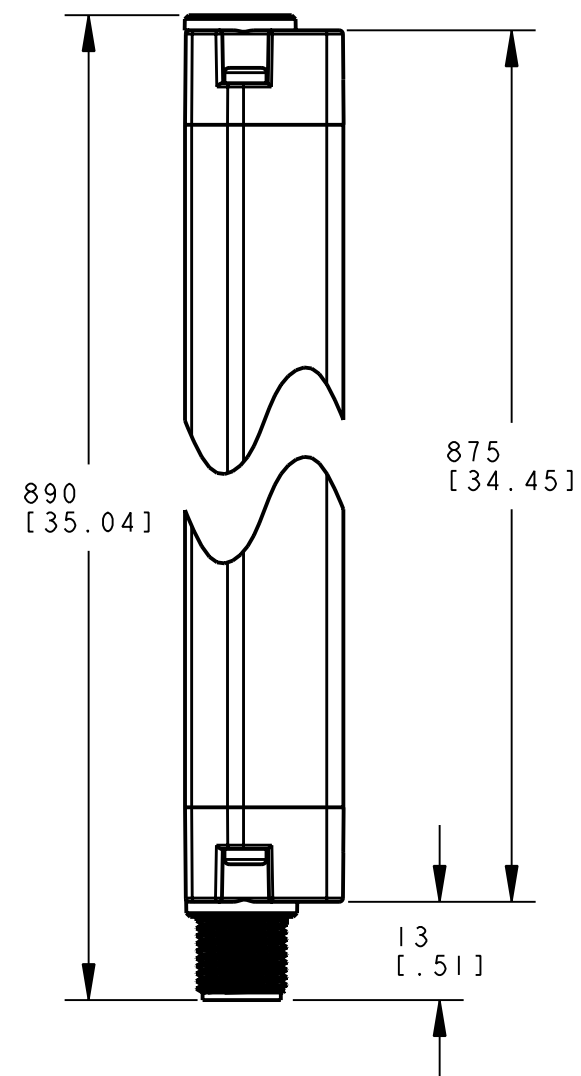
3

2

1



ISOMETRIC VIEW
SCALE 1:4



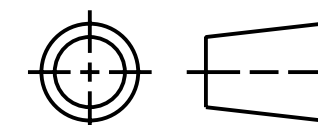
NOTES:
1. ALL DIMENSIONS ARE MILLIMETERS [INCHES] UNLESS OTHERWISE NOTED.

This drawing is the property
of BANNER ENGINEERING CORP.
and is proprietary in general
and in detail. Its contents
shall not be revealed to
outside parties without
written consent of BANNER.



BANNER ENGINEERING CORP.
P.O. BOX 9414
MINNEAPOLIS, MN 55440

THIRD ANGLE PROJECTION



TITLE		BANNER ENGINEERING CORP. P.O. BOX 9414 MINNEAPOLIS, MN 55440	
WLS28X850SO WEB CAD DRAWINGS 2D/3D		SIZE C	DRAWING NO. 157905
SCALE 1:1		SHEET 1 OF 1	REV. A

8

7

6

5

4

3

2

1

PRO/E